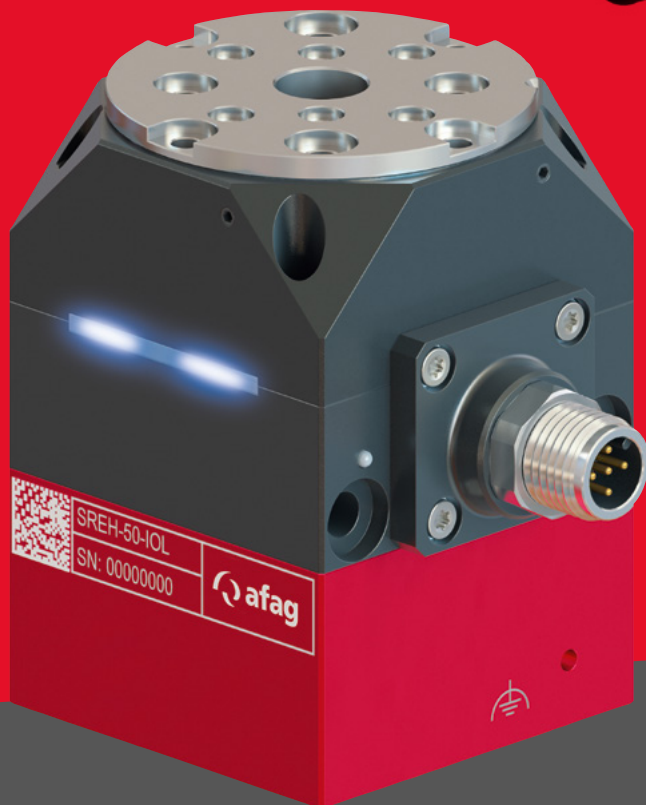




SREH-50-10L

More than Motion.

Yesterday. Today. Tomorrow.



A WORLD'S FIRST
#smartrotarymodule
SREH-50-10L

SREH-50-IOL

The new smart rotary module

ARE YOU READY FOR THE NEXT LEVEL?

Highly flexible with integrated controller and IO link

The SREH-50-IOL electric smart rotary module features an integrated controller. The simple wiring with just one connecting cable allows the user to easily integrate it into their system. The IO link technology ensures the energy supply of the module and transmits the signals to the customer's PLC.

- › Integrated controller
- › IO link communications interface
- › Simple integration
- › Freely programmable
- › Integrated embedded technology



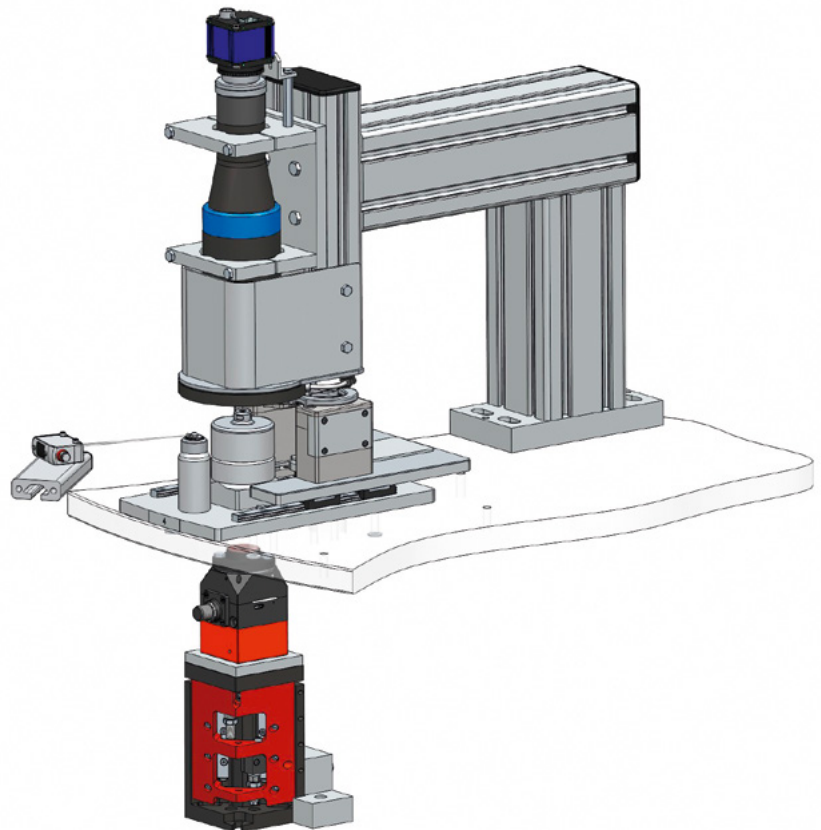
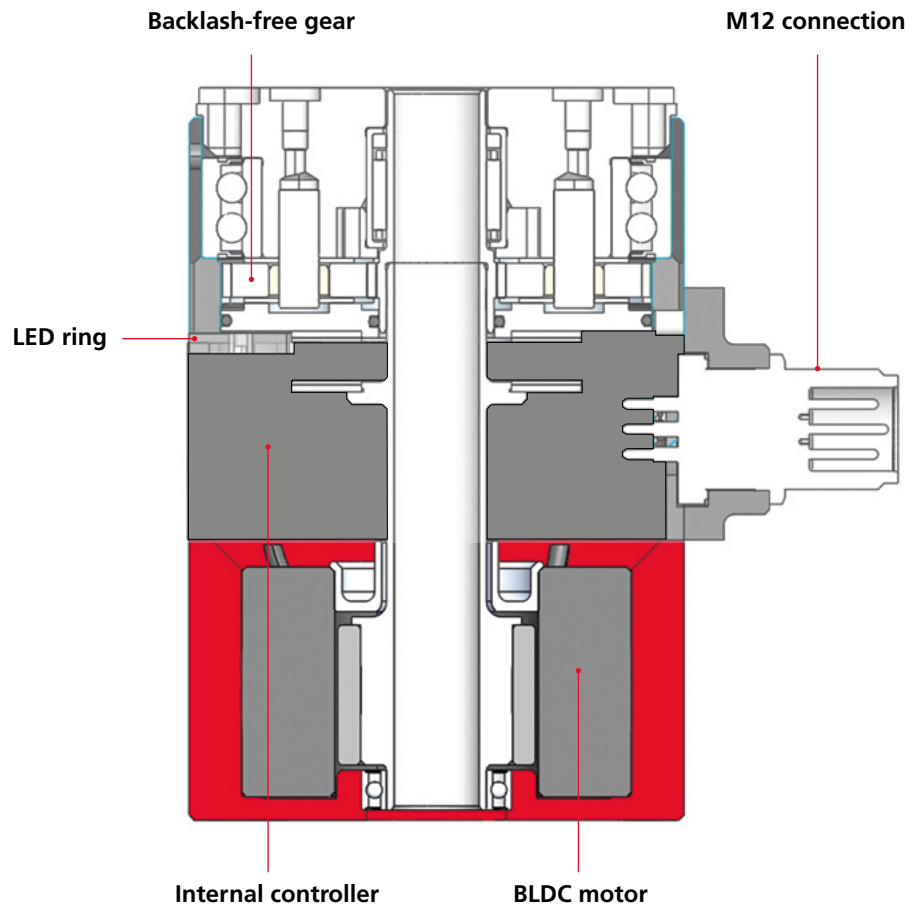
OUR VISION



Intelligent ideas for smart applications

In recent years, Afag's research and development department has developed additional knowledge and set up an embedded technologies team. In this case, embedded technology means that a data processor embedded into the application assumes the function of a controller. This technology is known as field programmable gate array (FPGA). It is based on a programmable logic block into which a logic circuit can be loaded. This allows high-precision rotations to be controlled. Thanks to the IO link, the simple wiring makes the integration into the user's system easier and saves space in the control cabinet. This forward-looking investment is now paying: As the industry's impulse provider, Afag is redefining the world of automation with its SREH-50-IOL smart rotary module with integrated controller. The SREH-50-IOL is truly unique on the market and the first member of a new generation of Afag modules that will blaze a trail for many others to follow.

[#smartrotarymodule](#) [#embeddedtechnology](#) [#iolink](#)



Technical data	Art. No. 50503985
Repeat accuracy	$\pm 0.015^\circ$
Movement time for 180°	80 ms
Max. idle speed	716 min^{-1}
Max. torque	0.9 Nm
Continuous torque	0.45 Nm
Max. mass inertia	$15 \cdot 10^{-4} \text{ kgm}^2$
Max. current	5 A peak
Continuous current standstill	2.5 A
Hollow shaft	$\varnothing 8.5 \text{ mm}$
Dimensions	50 x 50 x 75 mm
Dead weight	0.6 kg
De-energized multiturn	4-fold
Status display	LED ring
Simple assembly option	Coordinated (Afag hole pitch)
Communication	IO link: Communication speeds 230.4 kBaud port class B, 24 VDC
Connector cable	Connector cable with elbow and straight connectors available in different lengths

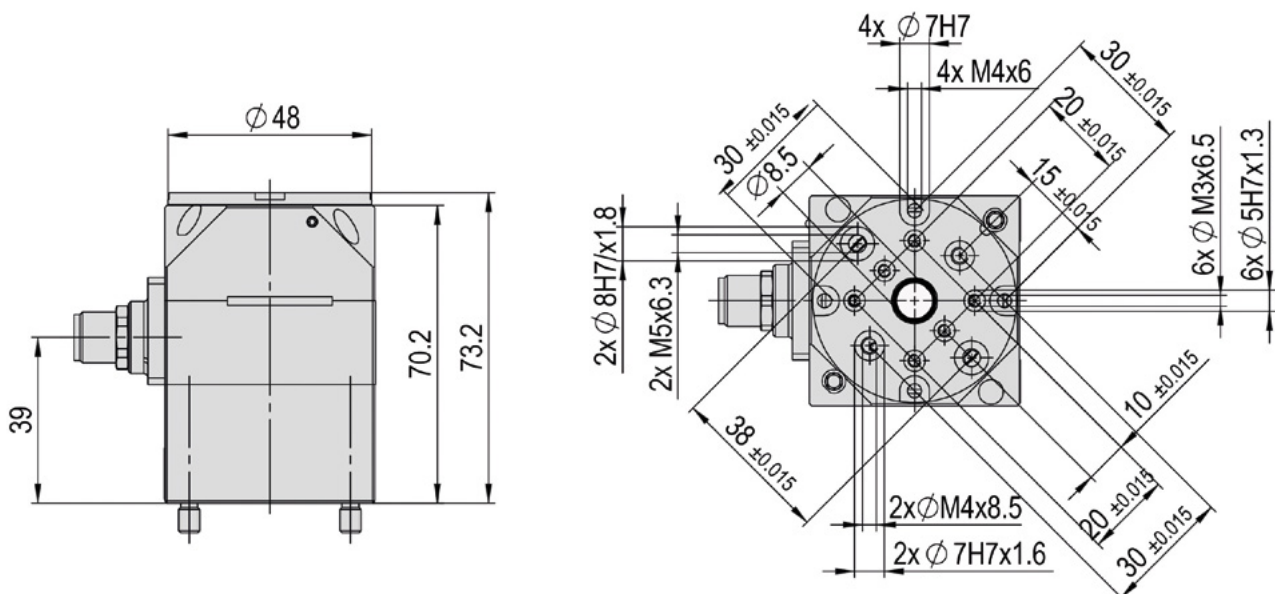


All information and technical details on the SREH-50-IOL smart rotary module

With the specified test parameters*, the SREH-50-IOL smart rotary module is well-suited for use in clean rooms of the following air cleanliness class in accordance with ISO 14644-1.

* Installation position: vertical, payload: none, maximum speed: $v_{\text{max}} = 3000^\circ / \text{s}$, acceleration factor: 100%

Air cleanliness class 6





Afag Automation AG

Luzernstrasse 32
6144 Zell
Switzerland

T +41 62 959 86 86
sales@afag.com

Afag GmbH

Wernher-von-Braun-Straße 1
92224 Amberg
Germany

T +49 9621 650 27-0
sales@afag.com

Afag Engineering GmbH

Gewerbestraße 11
78739 Hardt
Germany

T +49 7422 560 03-0
sales@afag.com

Afag Automation North America

Schaeff Machinery & Services LLC.

820 Fessler's Parkway, Suite 210
Nashville, TN 37210
USA

T +1 (615) 730-7515
nashville@afag.com

Afag Automation APAC

Afag Automation Technology (Shanghai) Co., Ltd.

Room 102, 1/F, Bldg. 56, City Of Elite
No.1000, Jinhai Road, Pudong New District
Shanghai, 201206
China

T +86 021 58958065
shanghai@afag.com

V01/2022

