

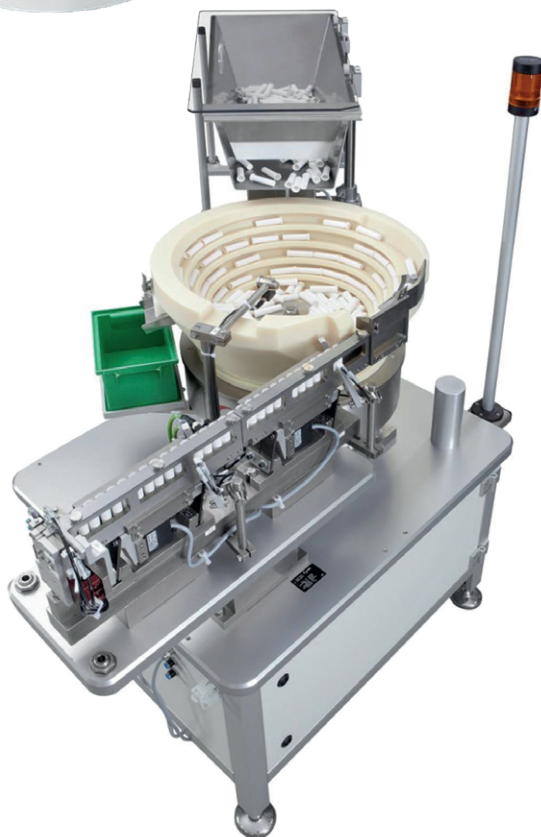
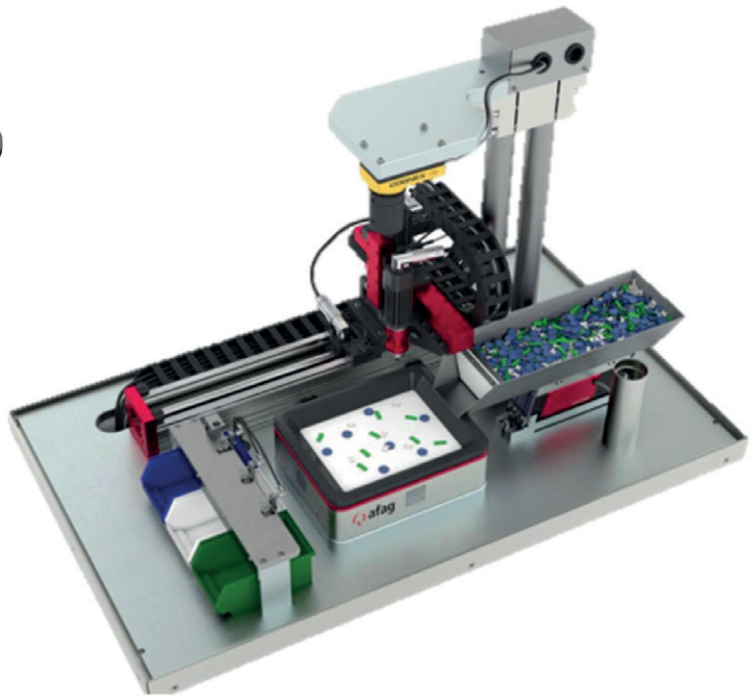


Feeding
More than
Motion.



Feeding technology systems

- › CAD/CAM feeding systems
- › Clean room feeding systems
- › Flexible feeding systems
- › Disentangling systems



Feeding technology components & systems

Feeding technology components

- › Linear feeders
- › Bowl feeder drives
- › Feeding bowls
- › Refilling units
- › Control devices
- › Afag-Chrome-Line feeding components
- › Flexible feeding
- › Diagnostics & training



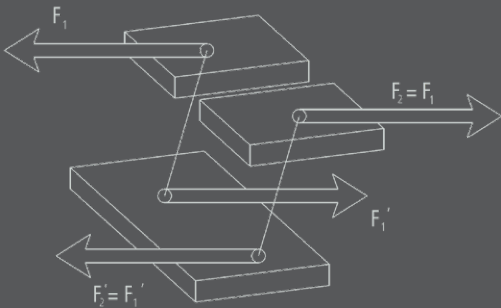
› For more information and technical details,
see our "Modular feeding technology" catalog.

Feeding technology

Movement/Drives/ Buffering

Afag vibratory feeders with reactive force compensation compensate vibration forces in the drive unit and therefore prevent vibrations being transferred to the environments, as well as reciprocal interference on multiple drives (cross-talk).

They stand for the highest precision interfaces with minimum gaps, as rubber buffers are not required for the linear feeders in particular. This guarantees reliable operation and highest availability of the entire feeding system.



Linear feeder HLF

- › Large installation surface for the conveyor track
- › Long and heavy conveyor tracks can be inserted (up to 600 mm in length)
- › 115 V/60 Hz or 230 V/50 Hz
- › Max. speed 7 m/min



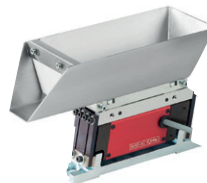
Bowl feeder drives BF/WV

- › 115 V/60 Hz or 230 V/50 Hz
- › Permissible bowl weights from 0.16 kg to 30 kg
- › Clockwise or counterclockwise rotational direction
- › Throwing angle in 12° and 18° for BF- and 20° and 25° for WV drives



Feeding bowls BB/BB FDA

- › Perfect adjustment to tool sizes and tolerances
- › Complete reproducibility
- › Available in FDA version
- › Optionally available with 3 designs of standard helix (radial, grooved or step helix)



Refilling units NVB/NVD/NBB

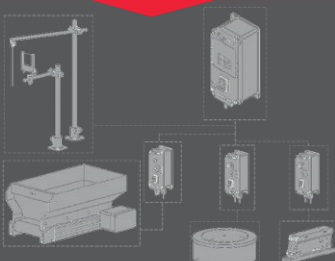
- › Vibration and belt-driven hopper
- › Fill quantities from 0.5 litres to 40 litres
- › Fill weights from 1.7 kg to 40 kg
- › Hopper interior with variable incline (NVB)



Flexible feeding component aflex qc

- › Time-optimized bulk material separation
- › Especially for part sizes/product variants that change frequently
- › Standardized interfaces for robot and axis systems

Control concepts



SmartBox IRG1-S IRG1-MS



SIGA PSG1

Control concept

- › Autonomous operation of feeding systems via the Smart Box
- › IRG1-S for 115 V/60 HZ or 230 V/50 Hz vibration conveyors
- › IRG1-MS Motor control unit, 230/115 VAC, 2A

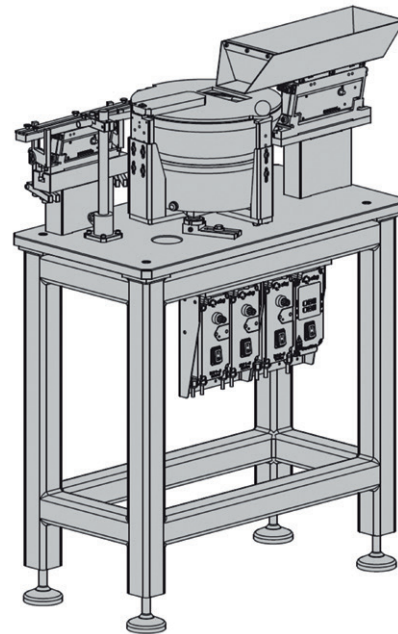
Frequency control units PSG1/SIGA

- › PSG1 for piezo linear feeders in the HLF-P range
- › SIGA for vibration feeders (magnetic drive)

Standards

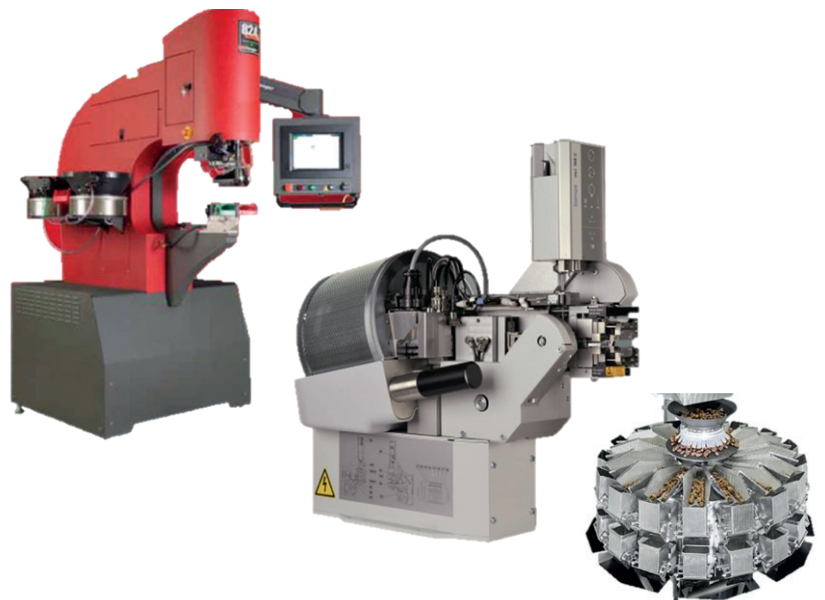
Chrome-Line components

The standardized Chrome-Line components reduce costs and delivery times thanks to optimized quality in conjunction with a modular design for the feeding stations. Well-known station layouts, and therefore standard stations that can already be integrated in the planning phase, as well as uniform, corrosion-protected surfaces complete the Afag building block principle with regard to the feeding technology components.



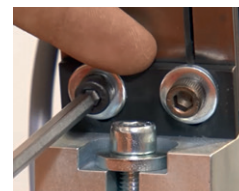
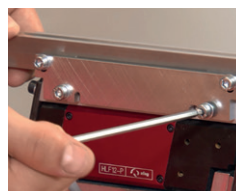
Customer-specific drives

- › Application-based development co-operation including designing, prototype construction and series production
- › Customer-specific linear and spiral conveyors with 24 V/115 V/230 V AC operating voltage
- › For special applications in diverse sectors such as
 - › Providing connection elements in riveting and welding technology
 - › Crimp processes in cable processing
 - › Counting, weighing, dosing in packaging technology



Services

- › Providing drive technology basic training and workshops about drives and applications
- › Maintenance, spare and wear parts service
- › Diagnostics with innovative QRG1 laboratory measurement device
- › Controlled series production with quality assurance thanks to drive check and documenting relevant, drive-specific parameters



CAD/CAM feeding systems

- › 100% engineered
- › Maximum system availability
- › Complete reproducibility
- › Cost benefits for repeat orders
- › High precision manufacturing thanks to 5-axis simultaneous processing and using CAM
- › Primary polymer feeder bowl material proven 10,000 times



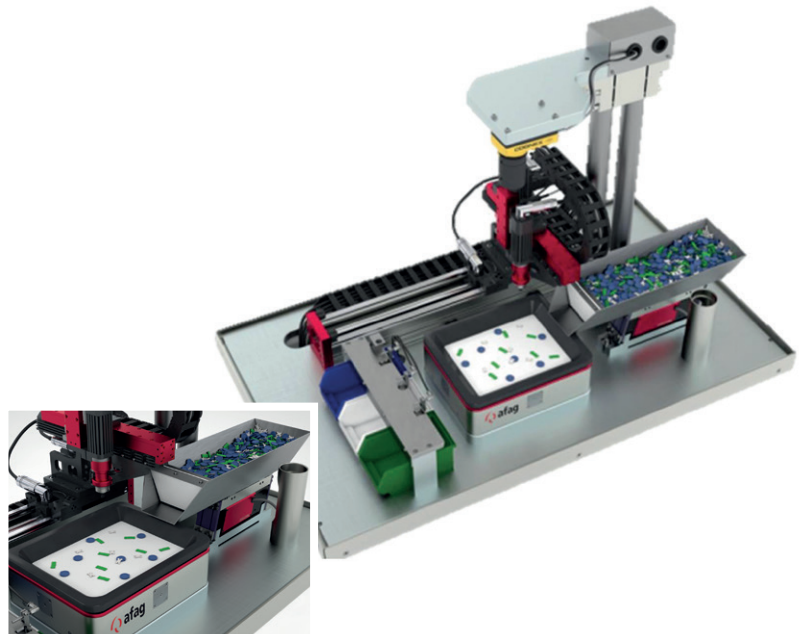
Clean room feeding systems

- › Verified clean room suitability according to ISO class 7
- › Construction standards for medical applications guarantee easy cleaning
- › Multiple part provision, preferably with electrical Afag handling
- › Feeder bowls made of FDA polyamide, aluminium or stainless steel materials
- › Use of medically-suitable materials with material certificate
- › Sorting bowls made of high-alloy, polished stainless steel sheets



Flexible feeding systems

- › Wide range of variants
- › Short changeover times
- › Active 3-dimensional conveyance material manipulation
- › Combination of in-house Aflex components and electrical handling systems
- › Standardized vision and control concept
- › Unlimited reuse of system components



Disentangling systems

- › The range of disentangling systems available enables ideal adjustment to the individual application
- › Reliable disentangling and separation of springs and other conveyed materials
- › Innovative approaches for difficult part sizes
- › High reliability thanks to automated suppression mechanisms
- › Autonomously usable electrical spring separation with linear motor technology
- › Decentralized integrated control system (drum feeder)



**Afag Automation AG**

Luzernstrasse 32
6144 Zell
Switzerland

T +41 62 959 86 86
sales@afag.com

Afag GmbH

Wernher-von-Braun-Straße 1
92224 Amberg
Germany

T +49 9621 650 27-0
sales@afag.com

Afag Engineering GmbH

Gewerbestraße 11
78739 Hardt
Germany

T +49 7422 560 03-0
sales@afag.com

Afag Automation Americas**Afag Automation Americas Inc.**

883 Seven Oaks Blvd, Suite 800
Smyrna, TN 37167
USA

T +1 (615) 730-7515
nashville@afag.com

Afag Automation APAC**Afag Automation Technology (Shanghai) Co., Ltd.**

Room 102, 1/F, Bldg. 56, City Of Elite
No.1000, Jinhai Road, Pudong New District
Shanghai, 201206
China

T +86 021 58958065
shanghai@afag.com

**SIMPLE.
RELIABLE.
INNOVATIVE.**

A team to get excited about.